

# NRS Gate Valve

## Mechanical Joint x Flanged Ends



### Technical Features

- **Flanged End:** Dimensions and drilling comply with ANSI B16.1, Class 125
- **Mechanical Joint End:** Complies with ANSI/AWWA C111 Standard
- **Sizes:** 3", 4", 6", 8", 10", 12"
- **Approvals:** UL, FM
- **Type:** Resilient Wedge, Non-Rising Stem
- **Maximum Working Pressure:** 200 PSI / 250 PSI / 300 PSI
- **Working Temperature:** 33.8°F - 125.6°F
- **Finish:** Epoxy Coated Interior and Exterior
- Indicator Post Pattern
- Meets or exceeds all applicable requirements of ANSI/AWWA C515

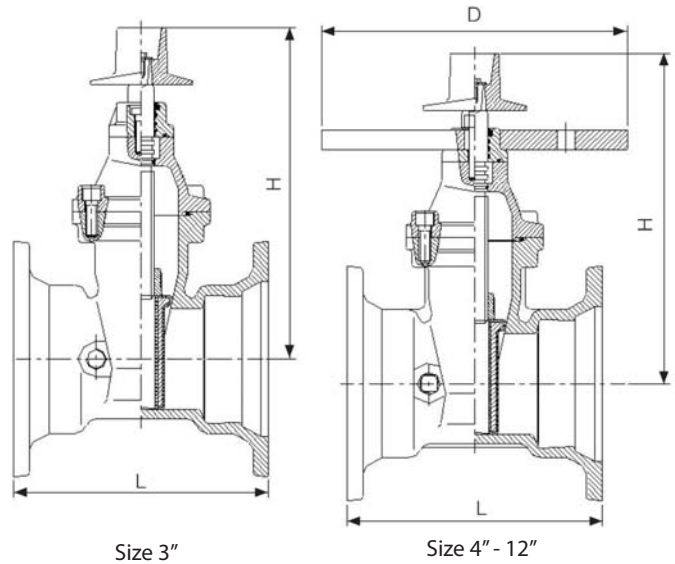


**ANRS2-MF**  
200 PSI

**ANRS25-MF**  
250 PSI

**ANRS3-MF**  
300 PSI

Component	Material	Specification
Body	Ductile Iron	A536 65-45-12
Wedge	Ductile Iron with EPDM Coated	
Disc Nut	Bronze	ASTM B62
Stem	Stainless Steel	AISI 420
Thrust Collar	Bronze	ASTM B62
Bonnet	Ductile Iron	A536 65-45-12
Gasket	EPDM	Commercial
Gland	Ductile Iron	A536 65-45-12
O-ring	EPDM	Commercial
Post Flange	Ductile Iron	A536 65-45-12
Wrench Nut	Ductile Iron	A536 65-45-12
NPT Plug	Malleable Iron	
Bolt on Post Flange	Stainless Steel	AISI 316
Bolt on Bonnet Flange	Carbon Steel	A307 B



### Dimensions

Size	3"		4"		6"		8"		10"		12"	
	inch	mm	inch	mm	inch	mm	inch	mm	inch	mm	inch	mm
L	8-3/4	222	9-1/2	241.5	11	279.5	12	305	13-7/8	352.5	14-7/8	367
H	11-5/8	296	13-3/4	350	17-15/16	455	21-7/16	545	25-3/8	645	28-3/4	730
D	-	-	12	305	12	305	12	305	12	305	12	305

