

NRS Gate Valve

Grooved Ends



Technical Features

- **Connections:** Grooved x Grooved (AWWA C606)
- **Sizes:** 2-1/2", 3", 4", 5", 6", 8", 10", 12"
- **Approvals:** UL, FM
- **Type:** Resilient Wedge, Non-Rising Stem
- **Maximum Working Pressure:** 200 PSI / 250 PSI / 300 PSI
- **Working Temperature:** 33.8°F - 125.6°F
- **Finish:** Epoxy Coated Interior and Exterior
- **Specifications:** Design and Dimensions Conform to AWWA C515

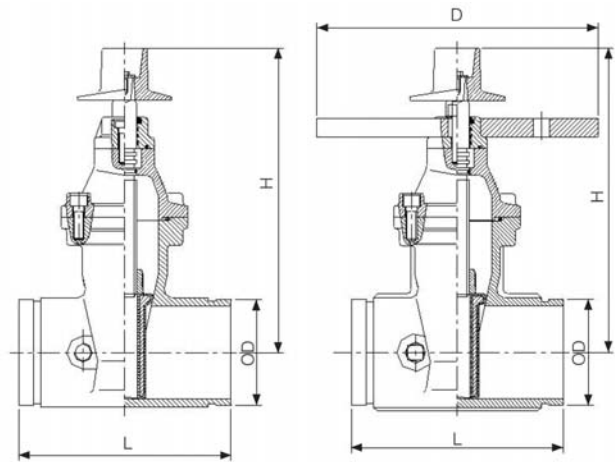


ANRS2-GG
200 PSI

ANRS25-GG
250 PSI

ANRS3-GG
300 PSI

| Component | Material | Specification |
|-----------------------|-------------------------------|---------------|
| Body | Ductile Iron | A536 65-45-12 |
| Wedge | Ductile Iron with EPDM Coated | |
| Disc Nut | Bronze | ASTM B62 |
| Stem | Stainless Steel | AISI 420 |
| Thrust Collar | Bronze | ASTM B62 |
| Bonnet | Ductile Iron | A536 65-45-12 |
| Gasket | EPDM | Commercial |
| Gland | Ductile Iron | A536 65-45-12 |
| O-ring | EPDM | Commercial |
| Post Flange | Ductile Iron | A536 65-45-12 |
| Wrench Nut | Ductile Iron | A536 65-45-12 |
| NPT Plug | Malleable Iron | |
| Bolt on Post Flange | Stainless Steel | AISI 316 |
| Bolt on Bonnet Flange | Carbon Steel | A307 B |



Size 2.5" & 3"

Size 4" - 12"

Dimensions

| Size | 2-1/2" | | 3" | | 4" | | 5" | | 6" | | 8" | | 10" | | 12" | |
|------|--------|-------|--------|------|--------|-------|--------|-------|----------|-------|---------|-------|--------|-------|--------|-------|
| | inch | mm | inch | mm | inch | mm | inch | mm | inch | mm | inch | mm | inch | mm | inch | mm |
| OD | 2-7/8 | 73.0 | 3-1/2 | 88.9 | 4-1/2 | 114.3 | 5-1/2 | 139.7 | 6-1/2 | 165.1 | 8-5/8 | 219.1 | 10-3/4 | 273.0 | 12-3/4 | 323.9 |
| | 3 | 76.1 | | | | | 5-9/16 | 141.3 | 6-5/8 | 168.3 | | | | | | |
| L | 7-1/2 | 190.5 | 8 | 203 | 9 | 229 | 10 | 254 | 10-1/2 | 267 | 11-1/2 | 292 | 13 | 330 | 14 | 356 |
| H | 10-5/8 | 270 | 11-5/8 | 296 | 13-3/4 | 350 | 16-1/8 | 410 | 17-15/16 | 455 | 21-7/16 | 545 | 25-3/8 | 645 | 28-3/4 | 730 |
| D | - | - | - | - | 12 | 305 | 12 | 305 | 12 | 305 | 12 | 305 | 12 | 305 | 12 | 305 |

