

OS&Y Gate Valve

Flanged Ends

ALEUM



Technical Features

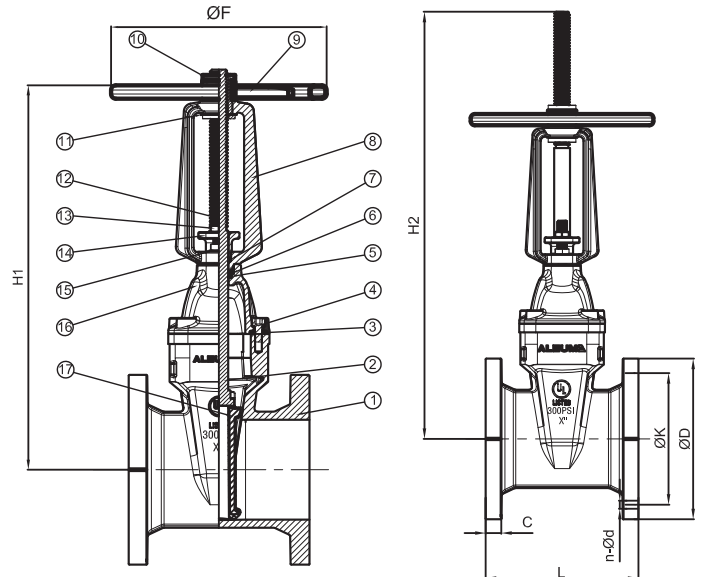
- **Connections:** Flanged (ANSI B16.1 Class 125)
- **Sizes:** 2", 2-1/2", 3", 4", 5", 6", 8", 10", 12"
- **Approvals:** UL, FM
- **Maximum Working Pressure:** 250 PSI / 300 PSI
- **Working Temperature:** 14°F -176°F
- **Type:** Resilient Wedge, Outside Stem & Yoke
- **Finish:** Epoxy Coated Interior and Exterior
- Pre-Grooved Stem for Supervisory Switch
- **Specifications:** Design and Dimensions Conform to AWWA C515



AFOSY25-FF
250 PSI

AFOSY3-FF
300 PSI

Component	Material	Specification
1	Body	Ductile Iron EN GJS 500-7
2	Stem	Stainless Steel AISI 420
3	Gasket	Rubber EPDM
4	In Hex Bolt	Carbon Steel Commercial
5	O-ring	Rubber EPDM
6	Washer	Bronze C 51900
7	O-ring	Rubber EPDM
8	Yoke	Ductile Iron EN GJS 500-7
9	Handwheel	Carbon Steel Commercial
10	Handwheel nut	Brass/Bronze CZ132/ C 61900
11	HW Washer	Bronze C 51900
12	Stud	Carbon Steel Commercial
13	Hex nut	Carbon Steel Commercial
14	Gland	Ductile Iron EN GJS 500-7
15	Washer	Carbon Steel Commercial
16	Bonnet	Ductile Iron EN GJS 500-7
17	Wedge	Ductile Iron + Vulcanized Rubber EN GJS 500-7 + EPDM



Dimensions

Size	L	H1	H2	ØD	ØK	N-Ød	C	ØF	
2"	inch	7	12.28	15	6	4.75	4-Ø0.75	0.75	8
	mm	178	312	382	152	121	4-Ø19	19	203
2.5"	inch	7.5	13.3	16	7	5.5	4-Ø0.75	0.88	8
	mm	190	338	408	178	140	4-Ø19	22	203
3"	inch	8	15.47	18.89	7.5	6	4-Ø0.75	0.94	8
	mm	203	393	480	191	152	4-Ø19	24	203
4"	inch	9	17.36	21.417	9	7.5	8-Ø0.75	0.94	10
	mm	229	441	544	229	191	8-Ø19	24	254
5"	inch	10	22	27.417	10	8.5	8-Ø0.88	0.94	12
	mm	254	559	692	254	216	8-Ø23	24	305
6"	inch	10.5	23.5	29.88	11	9.5	8-Ø0.88	1	12
	mm	267	598	759	279	241	8-Ø23	25	305
8"	inch	11.5	29.25	37.5	13.5	11.75	8-Ø0.88	1.12	14
	mm	292	743	953	343	298	8-Ø23	28	356
10"	inch	13	34.64	44.88	16	14.25	12-Ø1	1.19	15
	mm	330	880	1140	406	362	12-Ø26	30	381
12"	inch	14	39.72	52	19	17	12-Ø1	1.25	15
	mm	356	1009	1319	483	432	12-Ø26	32	381

