

# 300 PSI NRS Gate Valve | Flanged Ends

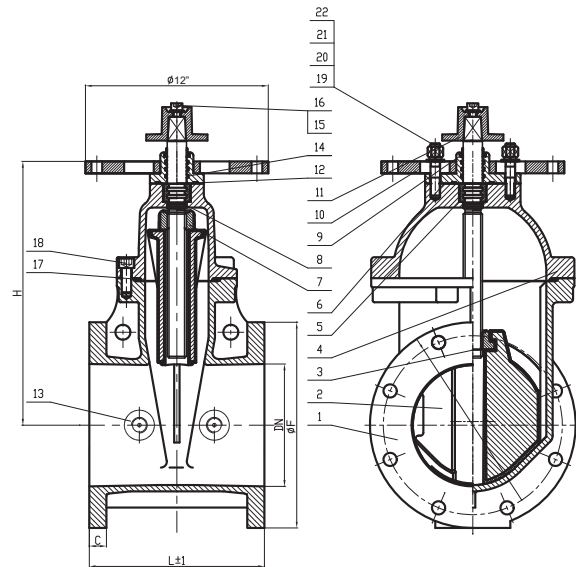
## Technical Features

- **Connections:** Flanged (ANSI B16.1 Class 125)
- **Sizes:** 2-1/2", 3", 4", 5", 6", 8", 10", 12"
- **Approvals:** UL, ULC, FM
- **Maximum Working Pressure:** 300 PSI
- **Maximum Working Temperature:** 250°F (120°C)
- **Type:** Resilient Wedge, Non-Rising Stem
- **Finish:** Epoxy Coated Interior and Exterior
- Indicator Post Pattern
- **Specifications:** Design and Dimensions Conform to AWWA C515



Model: 3288-300-FLA

Component	Material	Specification
1	Body	Ductile Iron ASTM A536 65-45-12
2	Resilient Wedge	Ductile Iron EPDM Coated ASTM A536 65-45-12 + EPDM
3	Stem	Stainless Steel AISI SS304 / SS302
4	Bonnet	Ductile Iron ASTM A536 65-45-12
5	Thrust Collar	Copper ASTM C51100
6	Gland	Ductile Iron ASTM A536 65-45-12
7	Wedge Nut	Bronze ASTM B62
8	O Ring	EPDM ASTM D2000 EPDM
9	Dustproof Cover	EPDM ASTM D2000 EPDM
10	Post Flange	Ductile Iron ASTM A536 65-45-12
11	Wrench Nut	Ductile Iron ASTM A536 65-45-12
12	O Ring	EPDM ASTM D2000 EPDM
13	Plug	Brass ASTM B16
14	O Ring	EPDM ASTM D2000 EPDM
15	Washer	Stainless Steel ASTM SS316
16	Hex Socket Cap Screw	Stainless Steel ASTM SS316
17	Gasket	EPDM ASTM D2000 EPDM
18	Hex Socket Cap Screw	Steel Gr 8.8
19	Nut	Stainless Steel ASTM SS316
20	Studs	Stainless Steel ASTM SS316
21	Spring Washer	Stainless Steel ASTM SS316
22	Washer	Stainless Steel ASTM SS316



## Dimensions

Size	L	H	C	øF	
2 1/2	mm	190	203.5	17.5	178
	inch	7.5	8	0.7	7
3	mm	203	232	19	191
	inch	8	9.1	0.7	7.5
4	mm	229	251	23.8	229
	inch	9	9.9	0.9	9
5	mm	254	320	23.8	254
	inch	10	12.6	0.9	10
6	mm	267	351.5	25.4	279
	inch	10.5	13.8	1	11
8	mm	292	435	28.6	343
	inch	11.5	17.1	1.1	13.5
10	mm	330	535	30.2	406
	inch	13	21.1	1.2	16
12	mm	356	616	31.8	483
	inch	14	24.3	1.3	19